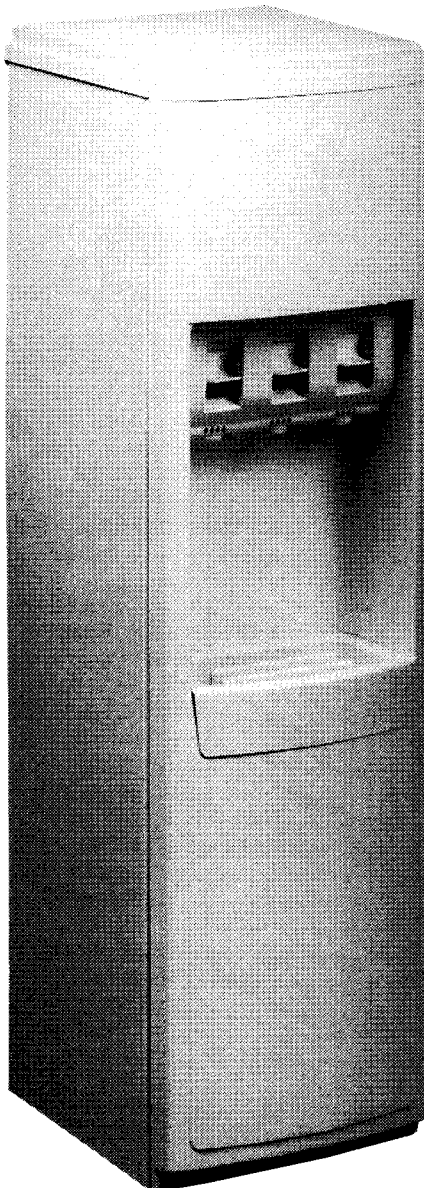




# ILLUSTRATED PARTS BREAKDOWN

**WATER COOLER MODELS:  
POU1LMK-D101, POU1LMHK-D101  
POU1LMKY-D101, POU1LMHKY-D101**



## SPECIFICATIONS

### ALL MODELS

Size	43-1/4"H., 12-1/4" W., 14-1/2"D.
Compressor	1/20HP
Refrigerant	R-134A
Refrigerant Charge	1.7 oz. (48 grams)
Cold Water Capacity*	.8GPH

### MODEL: POU1LMK-D101

Voltage	115 VAC $\pm$ 10%/ 1 PH/60 Hz
Shipping Weight (Approx.)	51 lbs.
Compressor (Full Load)	1.1 Amps

### MODEL: POU1LMHK-D101

Voltage	115 VAC $\pm$ 10%/ 1 PH/60 Hz
Shipping Weight (Approx.)	56 lbs.
Compressor (Full Load)	5.5 Amps

### MODEL: POU1LMKY-D101

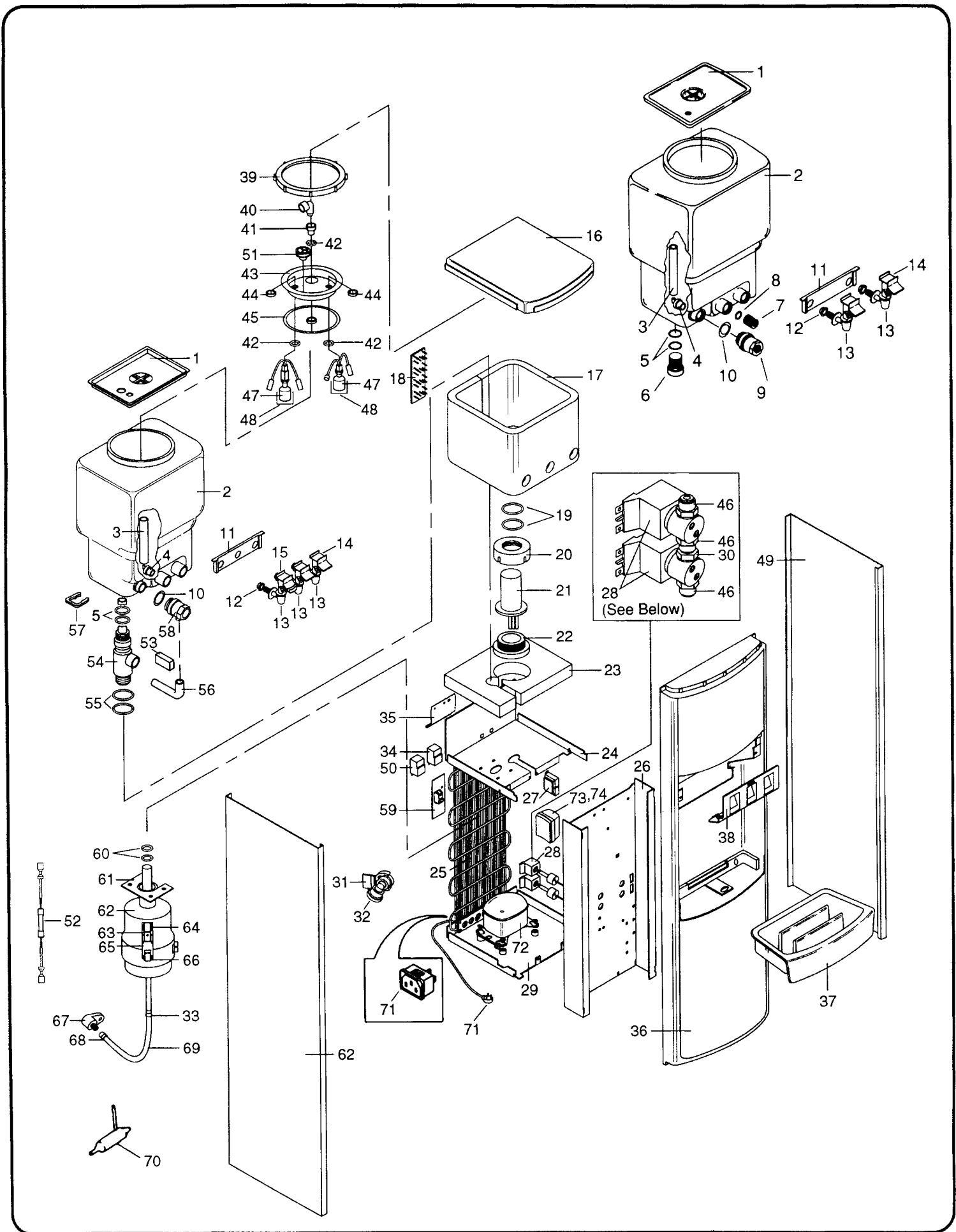
Voltage	220-240 Volt 50/60 Hz
Shipping Weight (Approx.)	51 lbs.
Compressor (Full Load)	.6 Amp

### MODEL: POU1LMHKY-D101

Voltage	220-240 Volt 50/60 Hz
Shipping Weight (Approx.)	56 lbs.
Compressor (Full Load)	2.8 Amp

\*A.R.I. Ratings: Room Temperature 90°F; Supply Water Temperature 90°F; Drinking Water Temperature 50°F.

Specifications subject to change without notice.



ITEM NO.	DESCRIPTION	POU1LMK-D101	POU1LMHK-D101	POU1LMKY-D101	POU1LMHKY-D101
1	Baffle.....	030595-001	030595-002	030595-001	030595-002
2	Reservoir.....	030866-004	030866-004	030866-004	030866-004
3	Cook Tube.....	030689-003	030689-010	030689-003	030689-010
4	Cook Tube Fitting.....	030587-002	030587-002	030587-002	030587-002
5	O-Ring.....	030858-300	030858-300	030858-300	030858-300
6	Hot Tank Fitting Plug.....	030582-001	-----	030582-001	-----
7	Cook Faucet Plug.....	030511-001	-----	030511-001	-----
8	Cook Faucet Plug O-Ring.....	030858-306	-----	030858-306	-----
9	Cook Faucet Extension FTG.....	030510-002	-----	030510-002	-----
10	O-Ring.....	030858-306	030858-306	030858-306	030858-306
11	Faucet Spacer.....	031228-001	031228-001	031228-001	031228-001
12	Faucet Gasket.....	030405-001	030405-001	030405-001	030405-001
13	Faucet & Lever Assy.....	030499-003	030499-003	030499-003	030499-003
14	Faucet Lever.....	031022-001	031022-001	031022-001	031022-001
15	Faucet Lever, Lockout.....	-----	032379-001	-----	032379-001
16	Top.....	031072-001	031072-001	031072-001	031072-001
17	Reservoir Insulation.....	031233-001	031233-001	031233-001	031233-001
18	Insulation Fastener.....	031234-001	031234-001	031234-001	031234-001
19	O-Ring.....	030858-403	030858-403	030858-403	030858-403
20	Probe Retainer Cap.....	030399-001	030399-001	030399-001	030399-001
21	Probe & Heat Exchanger Assy.....	030589-007	030589-007	030589-010	030589-010
22	Probe Retainer Collar.....	030398-001	030398-001	030398-001	030398-001
23	Shelf Insulation.....	031233-002	031233-002	031233-002	031233-002
24	Shelf.....	029953-002	029953-002	029953-002	029953-002
25	Condenser.....	028357-003	028357-003	028357-003	028357-003
26	Column Support.....	031048-001	031048-001	031048-001	031048-001
27	Transformer.....	030061-001	030061-001	030240-001	030240-001
28	Solenoid Valve.....	030674-004	030674-004	030674-004	030674-004
29	Base.....	020513-002	020513-002	020513-002	020513-002
30	FTG, JG Stem Adaptor.....	028687-001	028687-001	028687-001	028687-001
31	Bracket, FTG.....	031815-001	031815-001	031815-001	031815-001
32	FTG Assy., JG Elbow.....	030933-002	030933-002	030933-002	030933-002
33	Clamp, Tube.....	026487-002	026487-002	026487-002	026487-002
34	Cold Control.....	027040-020	027040-020	027040-020	027040-020
35	Handle.....	029562-001	029562-001	029562-001	029562-001
36	Front Panel.....	031075-001	031075-001	031075-001	031075-001
37	Drip Tray.....	030864-002	030864-002	030864-002	030864-002
38	Valve Cover.....	030862-004	030862-003	030862-004	030862-003
39	Reservoir Cap Ring.....	031079-001	031079-001	031079-001	031079-001
40	FTG, JG Elbow.....	029994-002	029994-002	029994-002	029994-002
41	FTG, JG Connector.....	028483-001	028483-001	028483-001	028483-001
42	Gasket.....	028706-005	028706-005	028706-005	028706-005
43	Cap, Reservoir.....	030699-001	030699-001	030699-001	030699-001
44	Locknut.....	030056-001	030056-001	030056-001	030056-001
45	Gasket, Reservoir Cap.....	031025-001	031025-001	031025-001	031025-001
46	FTG, JG Male Connector.....	028483-001	028483-001	028483-001	028483-001
47	Float Assy. (Includes #48).....	029999-004	029999-004	029999-004	029999-004
48	Siosh Guard Assy.....	030650-001	030650-001	030650-001	030650-001
49	Side Panel.....	031047-001	031047-001	031047-001	031047-001
50	Hot Control.....	-----	-----	-----	027040-032
51	Filter, Air.....	031823-001	031823-001	031823-001	031823-001
52	Wire, Fused Hot Tank.....	-----	032346-007	-----	032346-003
53	Insulation, Hot Manifold.....	-----	031237-001	-----	031237-001
54	Hot Tank Manifold.....	-----	030892-002	-----	030892-002
55	O-Ring.....	-----	030858-301	-----	030858-301
56	Hot Water Outlet Tube.....	-----	030602-001	-----	030602-001
57	Manifold Clip.....	-----	030603-001	-----	030603-001
58	Hot Faucet FTG Assy.....	-----	030889-002	-----	030889-002
59	Hot Tank Switch.....	-----	029545-001	-----	029545-001
60	O-Ring.....	-----	030858-202	-----	030858-202
61	Mounting Plate, Hot Tank.....	-----	030470-001	-----	030470-001
62	Hot Tank Assy.....	-----	030596-003	-----	030596-005
63	Hot Thermostat (w/clip).....	-----	028603-001	-----	028603-001
64	Clip, Thermostat MTG.....	-----	028422-001	-----	028422-001
65	Retainer Clip, Heat Limiter.....	-----	028666-001	-----	028666-001
66	Heat Limiter (w/clip).....	-----	028604-002	-----	028604-002
67	Drain Valve Assy.....	-----	029935-001	-----	029935-001
68	Clamp, Tube.....	-----	026516	-----	026516
69	Extension Drain Tube.....	-----	029540-004	-----	029540-004

# COMPRESSORS

USED ON MODELS:  
POU1LMK-D101, POU1LMHK-D101

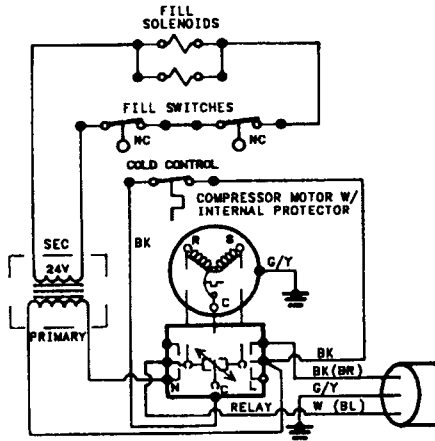
- 70 Drier, Refrigerant ..... 031593-002
- 71 Service Cord ..... 026540-042
- 72 \*Compressor ..... 031530-001
- 73 Relay ..... 026867
- 74 Cover ..... 026295

USED ON MODELS:  
POU1LMKY-D101, POU1LMHKY-D101

- 70 Drier, Refrigerant ..... 031593-002
- 71 Power Inlet ..... 030325-003
- 72 \*Compressor ..... 031530-004
- 73 Relay ..... 026309
- 74 Cover ..... 026295

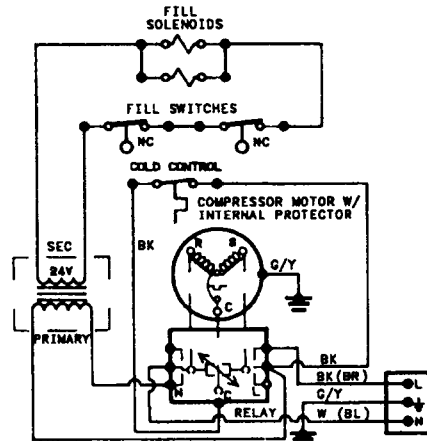
\*Note: Compressors include relay and overload.

## ELECTRICAL DIAGRAMS



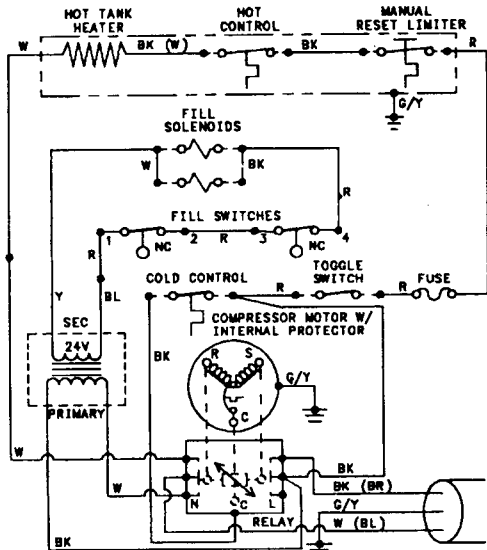
( )-ALT. COLOR  
●-TERMINATION POINT

POU1LMK-D101



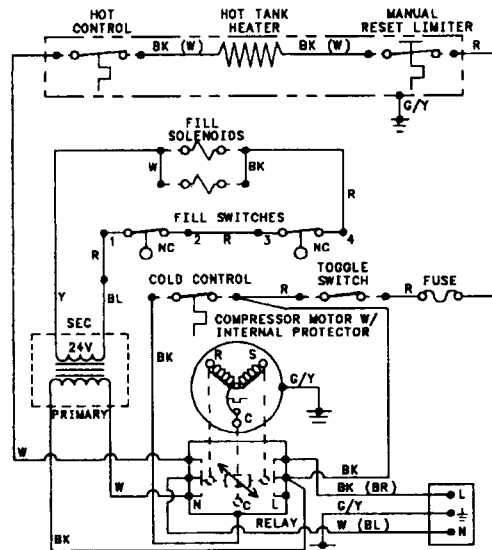
( )-ALT. COLOR  
●-TERMINATION POINT

POU1LMKY-D101



( )-ALT. COLOR  
●-TERMINATION POINT  
#-# DENOTES CONNECTOR #.

POU1LMHK-D101



( )-ALT. COLOR  
●-TERMINATION POINT  
#-# DENOTES CONNECTOR #.

POU1LMHKY-D101

**Ebtech** Corporation

265 N. Hamilton Rd. • P.O. Box 13150 • Columbus, OH 43213-0150  
Phone: 614/861-1350 • Fax: 614/861-5017

Copyright 1996 Ebtech Corporation