



AQUARIUS

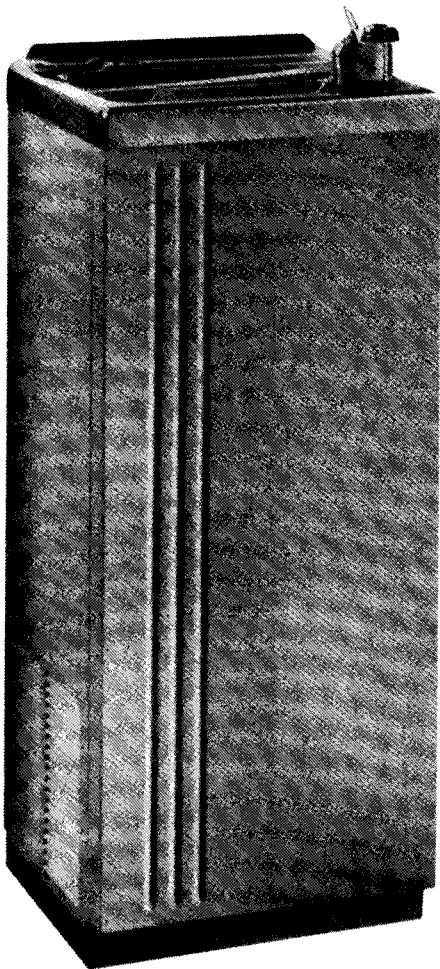
Kelvinator

White-Westinghouse®

ILLUSTRATED PARTS BREAKDOWN

WATER COOLER MODELS:

DP20-004	PLF20FS	PLF20FSY-D
DP20-004SCP	PLF20FS-001	PLF20FSY-D001
DP20-002D5/6	PLF20FSCP	PLF20FSCPYP-D
DP20-001DSCP5/6	PLF20FSCP-001	PLF20FSCPYP-D001

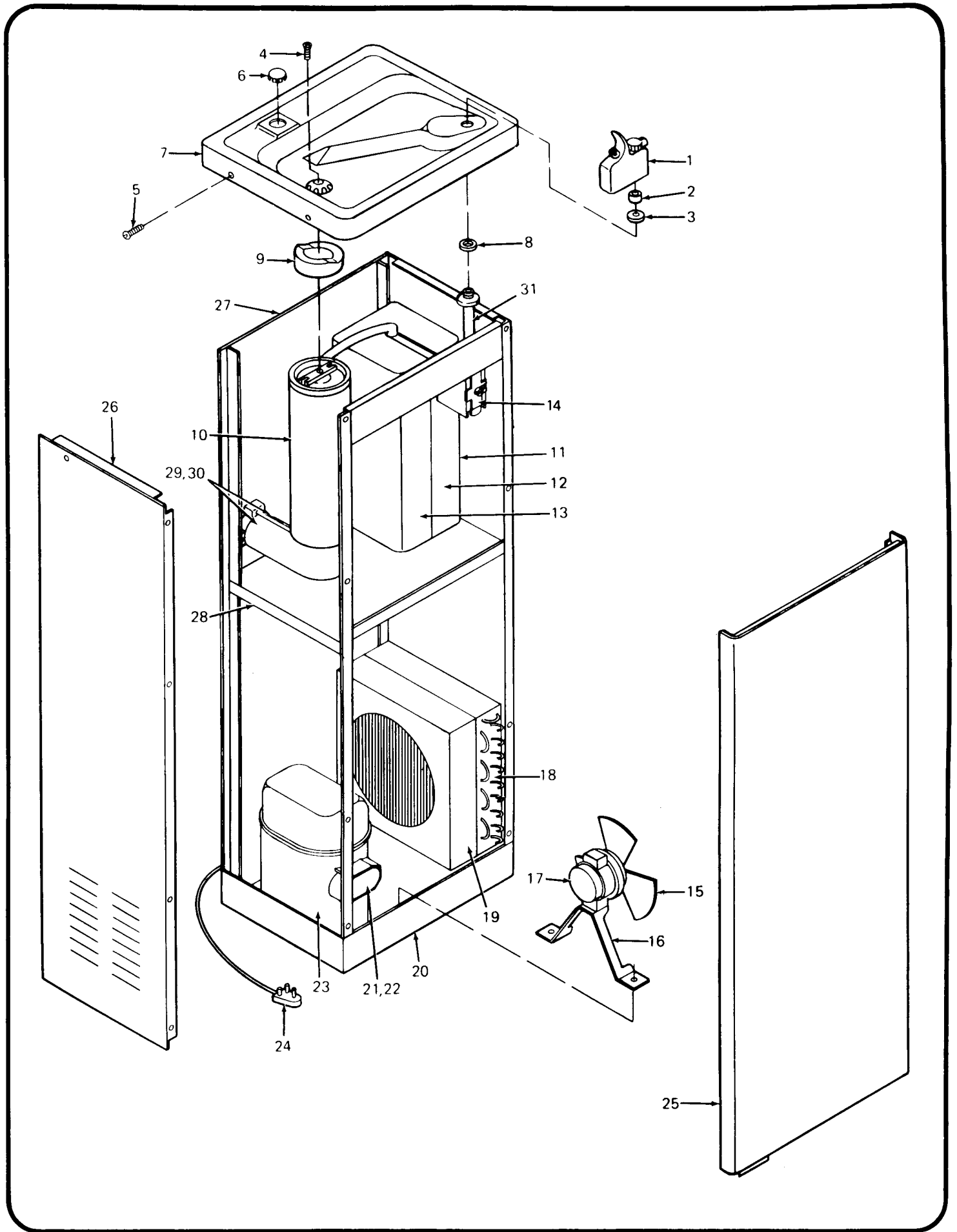


SPECIFICATIONS

Models	DP20 PLF20FS	DP20-D5/6 PLF20FSY-D
Voltage	115 VAC ±10%/ 1PH/60Hertz	220-240 VAC, 50/60 Hertz
Compressor	1/3 HP	1/3 HP
Compressor (Full Load)	7-1/2 Amps	3.0 Amps
Refrigerant	R-500	R-12
Refrigerant Charge	5 OZ.	7-1/2 OZ.
Size		40" H., 17" W., 14" D.
Shipping Weight (Approx)		99 LBS.
Cold Water Capacity		20 GPH

*A.R.I. Rating: Room Temperature 90°F; Supply Water Temperature 80°F; Drinking Water Temperature 50°F.

Specifications subject to change without notice.



PARTS LIST

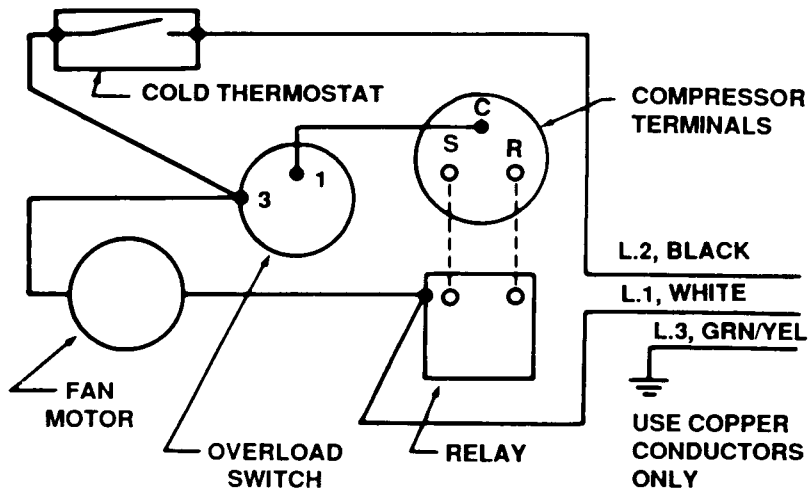
ITEM NO.	DESCRIPTION	DP20 PLF20FS SERIES	DP20-D5/6 PLF20FSY SERIES
1	12000 Bubbler Valve	026551-002	026551-002
	12000A Bubbler Valve (PLF-001 Series)	030774-002	030774-002
2	Valve Body Gasket	008983	008983
3	Friction Washer	009281	009281
4	Drain Screw	026655-002	026655-002
5	Top Screw	026630-005	026630-005
6	Hole Cover	016994	016994
7	Top	028965-005	028965-005
8	Gasket (Under Top)	028706-001	028706-001
9	Waste Gasket	018050	018050
10	Precooler	*018618-004	*018618-004
11	Insulated Cooling Tank Assembly	*028742-004	*028742-004
12	Cooling Tank Insulation, R/H	028660-001	028660-001
13	Cooling Tank Insulation, L/H	028661-001	028661-001
14	Cold Control	027040-007	027040-007
15	Fan Blade	022977	022977
16	Fan Motor Bracket	017557	017557
17	Fan Motor	027354-009	027354-018
18	Condenser	*026414	*026414
19	Fan Shroud	026416	026416
20	Base – Tan	018379-002	018379-002
	Base – Stainless Steel	027254-002	027254-002
21	Relay	019434	027955-001
22	Overload	019603	---
23	Compressor (Includes Items 21 and 22)	*027495-005	---
	Compressor Assembly w/Relay	---	*026631
24	Service Cord	026540-005	026540-010
25	Front Panel – Tan	018385-001	018385-001
	Front Panel – Stainless Steel	018385-003	018385-003
26	Side Panel – Tan	019403-001	019403-001
	Side Panel – Stainless Steel	019403-002	019403-002
27	Rear Panel – Tan	027132-001	027132-001
	Rear Panel – Stainless Steel	027132-002	027132-002
28	Shelf	026110-004	026110-004
29	Precooler Insulation, RH	021483	021483
30	Precooler Insulation, LH	021484	021484
31	Bubbler Valve Spud	028701-002	028701-002

NOT SHOWN

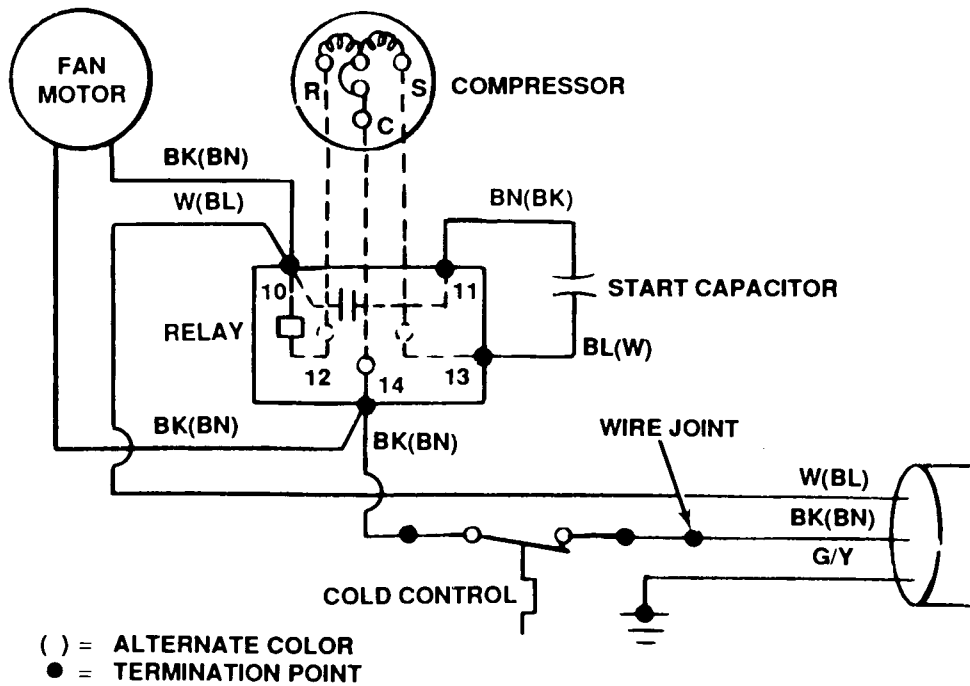
Capacitor	---	027956-001
Glass Filler Installation Kit	028746-001	028746-001
Foot Pedal Kit	*026645-011	*026645-011

*Special Note: Specify if you want parts for SCP model coated with corrosion protection.

ELECTRICAL DIAGRAM



**DP20
PLF20FS
SERIES**



**DP20-D5/6
PLF20FSY
SERIES**

OASIS® & AQUARIUS® are registered trademarks of EBCO Manufacturing Company
The trademarks Kalvinator® and White-Westinghouse® are used under license from White Consolidated Industries, Inc.

EBCO® MANUFACTURING COMPANY

265 N. Hamilton Rd. • P.O. Box 13150 • Columbus, OH 43213-0150 • 614/861-1350 • Fax: 614/861-5017

Copyright 1993 EBCO Manufacturing Co.