



AQUARIUS

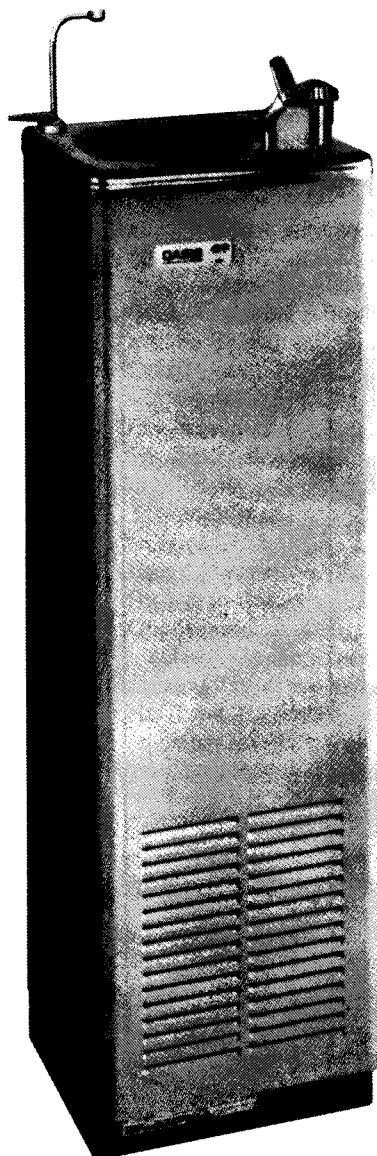
Kelvinator

White-Westinghouse®

ILLUSTRATED PARTS BREAKDOWN

WATER COOLER MODELS:

CP3H-001Z	PLF3CPH	PLF3CPH-D001
CP3H-004D	PLF3CPH-001	PLF3CPH-P
CP3H-003P	PLF3CPH-D	PLF3CPH-P001

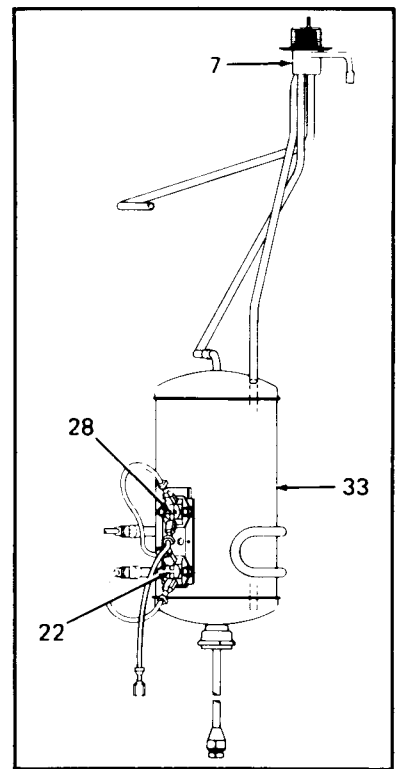
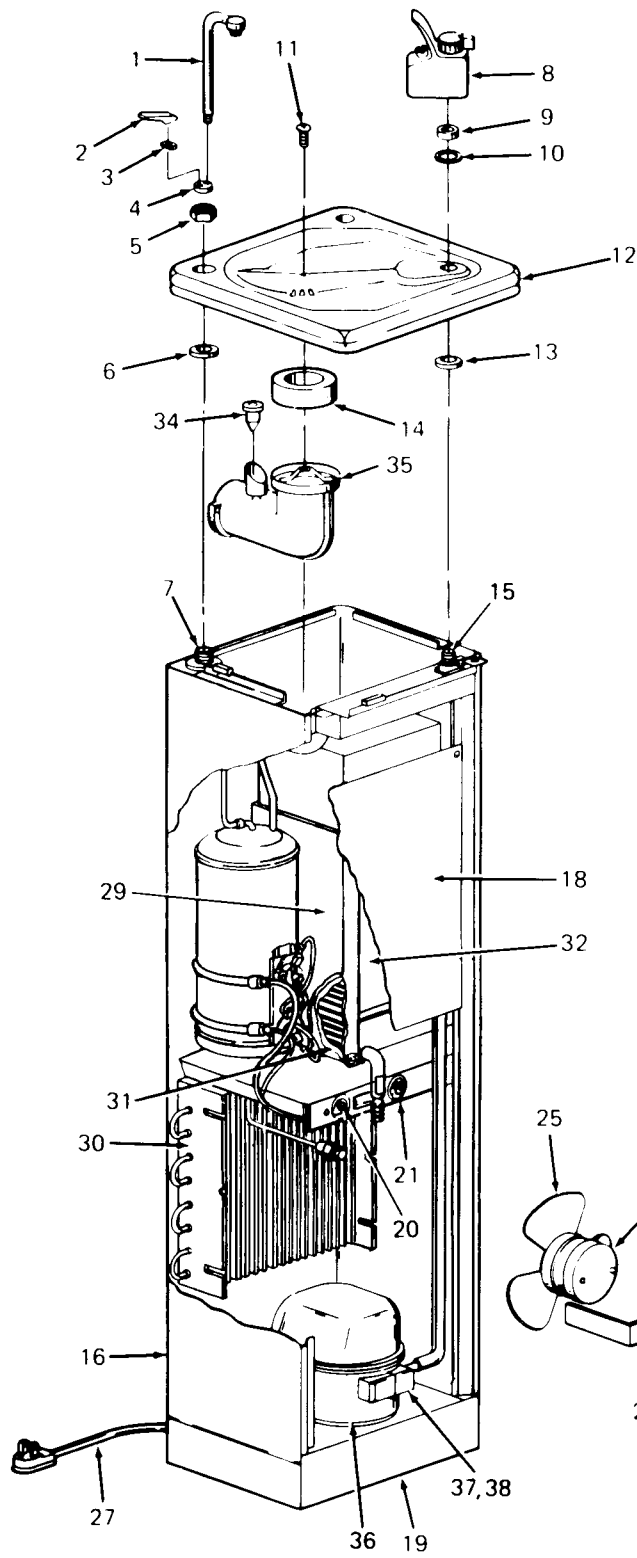


SPECIFICATIONS

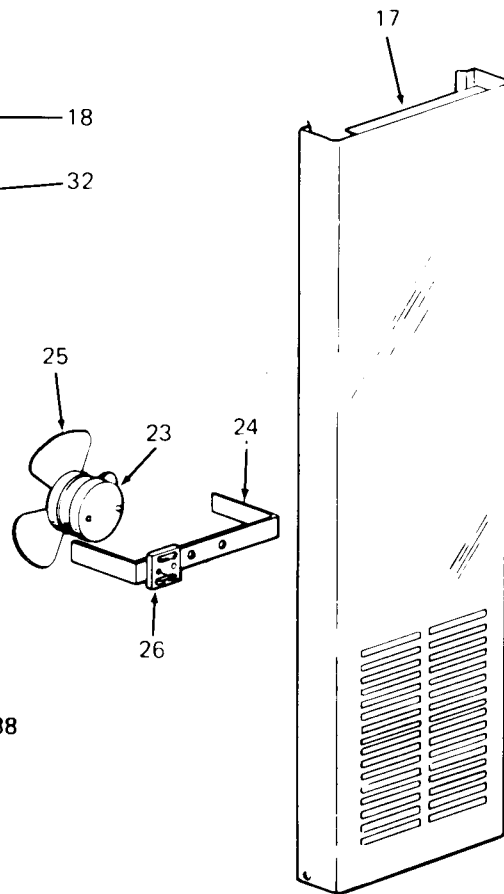
Voltage	115 VAC ±10%/1PH/60 Hertz
Size (Approx)	40" H., 12" W., 12" D.
Shipping Weight (Approx)	72 LBS.
Cold Water Capacity	3 GPH
Compressor	
CP3H-D, PLF3CPH-D	1/12 HP
CP3H-P, CP3H-Z, PLF3CPH, PLF3CPH-P	1/8 HP
Compressor (Full Load)	
CP3H-Z, PLF3CPH	6.0 Amps
CP3H-D, PLF3CPH-D	6.7 Amps
CP3H-P, PLF3CPH-P	7.8 Amps
Refrigerant	R-12
Refrigerant Charge	3-3/8 OZ.

*A.R.I. Rating: Room Temperature 90°F; Supply Water Temperature 80°F; Drinking Water Temperature 50°F.

Specifications subject to change without notice.



HOT TANK ASSEMBLY



REPLACEMENT PARTS LIST

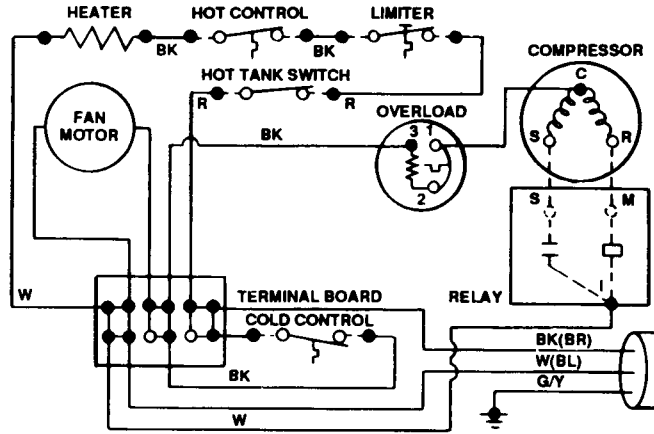
ITEM NO.	DESCRIPTION	CP3H PLF3CPH SERIES
1	Gooseneck Assembly	017590
2	Handle	017925
3	Tee Nut	017926
4	Body Cap	017927
5	Nut	017583
6	Rubber Gasket	017582
7	Valve Body and Stem Assembly	026281
8	12000 Bubbler Valve	026551-002
	12000A Bubbler Valve (PLF-001 Series)	030774-002
9	Valve Body Gasket	008983
10	Friction Washer	009281
11	Top Screw	026655-002
12	Top	028464-003
13	Gasket (Under Top)	028706-001
14	Waste Gasket	019131
15	Bubbler Spud	028701-002
16	Cabinet Assembly – Tan	019687-007
	Cabinet Assembly – Stainless Steel	019687-009
17	Front Panel – Tan	017528-001
	Front Panel – Stainless Steel	017528-002
18	Fire Barrier	017982
19	Base Assembly – Tan	030033-001
	Base Assembly – Stainless Steel	030033-003
20	Paddle Switch	020478
21	Cold Control	027040-007
22	Hot Control Kit w/Clip	028603-001
23	Fan Motor	027354-015
24	Fan Motor Bracket	017530
25	Fan Blade	022977
26	Terminal Base	023265
27	Service Cord	026540-003
28	Heat Limiter Kit w/Clip	028604-001
29	Radiation Shield	029530-001
30	Condenser	017531-001
31	Insulated Cooling Tank Assembly	028532-002
32	Cooling Tank Insulation (2 Required)	017599
33	Hot Tank Assembly	028455-001
34	Duckbill Check Valve	026274
35	Insulated Waste Assembly	026308

COMPRESSORS

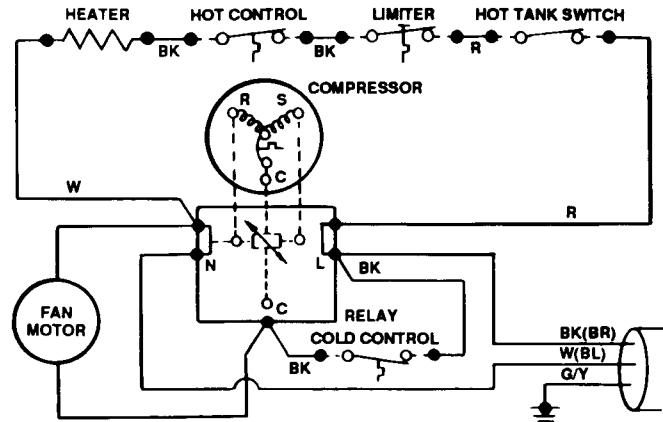
TECUMSEH CP3H-Z & PLF3CPH			DANFOSS CP3H-D & PLF3CPH-D		
36	*Compressor Assembly	027245-001	36	*Compressor Assembly	026868-002
37	Relay	027267-003	37	Relay	026867
38	Overload	027268-002	38	Overload	---
PANASONIC CP3H-P & PLF3CPH-P					
	36	*Compressor Assembly	028570-003		
	37	Relay	027709-001		
	38	Overload	---		

*NOTE: Compressors include relay and overload.

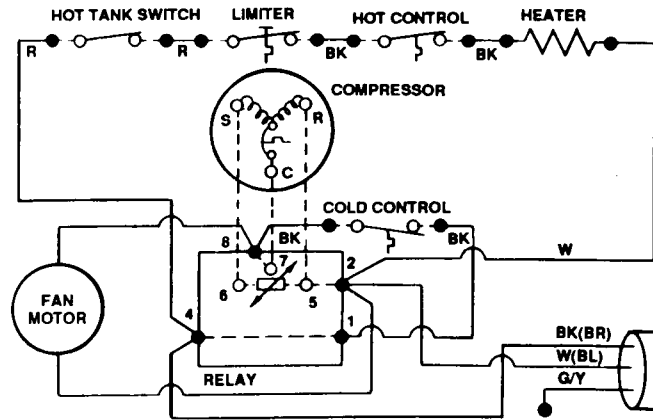
ELECTRICAL DIAGRAM



TECUMSEH - MODELS



DANFOSS - MODELS



PANASONIC - MODELS

OASIS® & AQUARIUS® are registered trademarks of EBCO Manufacturing Company
 The trademarks Kelvinator® and White-Westinghouse® are used under license from White Consolidated Industries, Inc.

EBCO MANUFACTURING COMPANY

265 N. Hamilton Rd. • P.O. Box 13150 • Columbus, OH 43213-0150 • 614/861-1350 • Fax: 614/861-5017

Copyright 1993 EBCO Manufacturing Co.