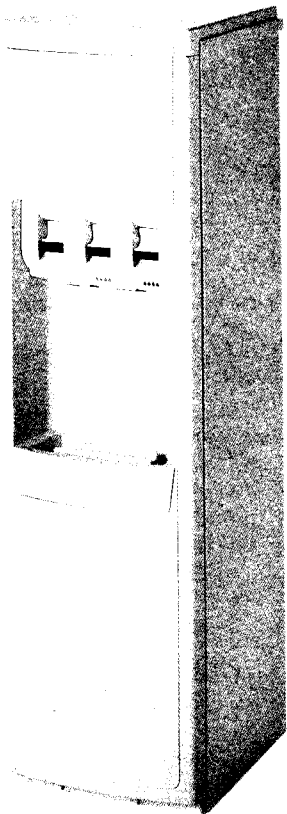




ILLUSTRATED PARTS BREAKDOWN

WATER COOLER MODEL: **POU1LMHK-D**



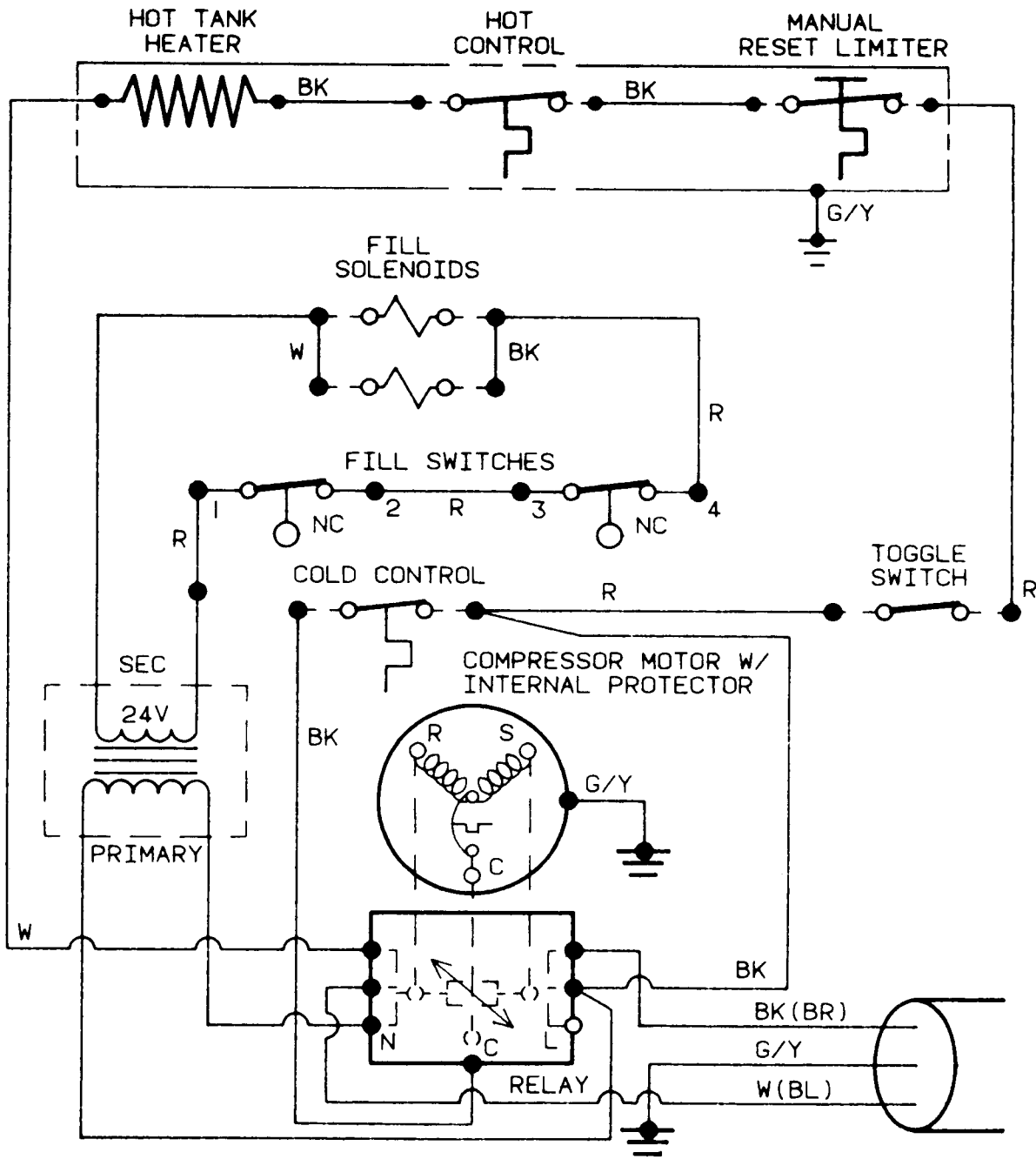
SPECIFICATIONS

Voltage	115 VAC \pm 10%/1 PH/60 Hz
Size	43-1/4" H., 12-1/4" W., 14-1/2" D.
Shipping Weight (Approx.)	56 lbs.
Compressor	1/20 HP
Compressor (Full Load)	5.4 Amps
Refrigerant	R-12
Refrigerant Charge	1-1/4 oz. (35 grams)
Cold Water Capacity	1 GPH

*A.R.I. Ratings: Room Temperature 90°F; Supply Water Temperature 90°F; Drinking Water Temperature 50°F.

Specifications subject to change without notice.

ITEM NO.	DESCRIPTION	PART NUMBER	(QTY)
1	Baffle	030595-002	
2	Reservoir	030866-004	
3	Cook Tube	030689-010	
4	Cook Tube Fitting	030587-002	
5	Hot Tank FTG O-Ring	030858-300	
6	Hot Tank Manifold	030892-002	
7	O-Ring	030858-301	
8	Hot Water Outlet Tube	030602-001	
9	Manifold Clip	030603-001	
10	Hot Faucet FTG Assy	030889-002	
11	O-Ring	030858-306	
12	Faucet Spacer	031228-001	
13	Faucet Gasket	030405-001 (3)	
14	Faucet & Lever Assy.	030499-007	
15	Faucet Lever	031022-001	
16	Top	031072-001	
17	Reservoir Insulation	031233-001	
18	Insulation Fastener	031234-001	
19	O-Ring	030858-403	
20	Probe Retainer Cap	030399-001	
21	Probe & Heat Exchanger Assy.	030589-004	
22	Probe Retainer Collar	030398-001	
23	Shelf Insulation	031233-002	
24	Shelf	029953-002	
25	Condenser	028357-001	
26	Column Support	031048-001	
27	Transformer	030074-012	
28	Solenoid Valve	031218-001 (2)	
29	Relay	026867	
30	Base	020513-002	
31	FTG, JG Stem Adaptor	028687-001	
32	Compressor Assy. (Includes #29)	026868-001	
33	J.G. Union Elbow 1/4"	028481-001	
34	Tube & Plate Assy.	031486-001	
35	Hot Tank Switch	029545-001	
36	Cold Thermostat	027040-020	
37	Handle	029562-001	
38	Front Panel	031075-001	
39	Drip Tray	030864-002	
40	Valve Cover	030862-003	
41	O-Ring	030858-202 (2)	
42	Mounting Plate, Hot Tank	030470-001	
43	Hot Tank Assy.	030596-001	
44	Hot Thermostat (w/clip)	028603-001	
45	Clip, Thermostat MTG.	028422-001 (2)	
46	Retainer Clip, Heat Limiter	028666-001	
47	Heat Limiter (w/clip)	028604-002	
48	Jaco Drain FTG	031303-001	
49	Drain Valve Assy.	029935-001	
50	Clamp	026516	
51	Extension Drain Tube	029540-005	
52	Reservoir Cap Ring	031079-001	
53	FTG, JG Elbow	029994-002	
54	FTG, JG Connector	028483-001	
55	Gasket	028706-005	
56	Cap, Reservoir	030699-001	
57	Locknut	030056-001	
58	O-Ring, Cap	031025-001	
59	FTG, JG Male Connector	028483-001 (3)	
60	Float Assy. (Includes #61)	029999-007 (2)	
61	Slosh Guard Assy.	030650-001	
62	Side Panel	031047-001 (2)	
63	Service Cord Assy.	026540-003	
64	Filter	030957-001	



- () - ALT. COLOR
- - TERMINATION POINT
- #-# DENOTES CONNECTOR #.

Ebtech® Reg. U.S. Pat. & TM Off.

Ebtech Corporation

265 N. Hamilton Rd. • P.O. Box 13150 • Columbus, OH 43213-0150
 Phone: 614/861-1350 • Fax: 614/861-5017

Copyright 1993 Ebtech Corporation