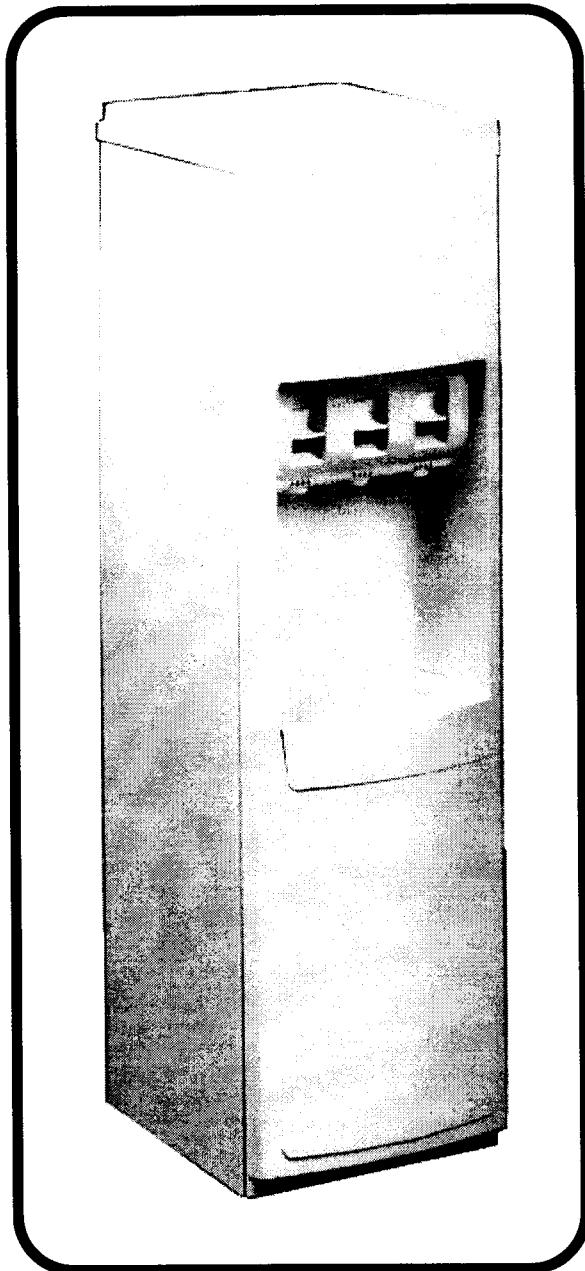




Illustrated Parts Breakdown

Models:

**POU1LMHK-D202 &
POU1LMK-D103**



SPECIFICATIONS:

Models: POU1LMHK-D202

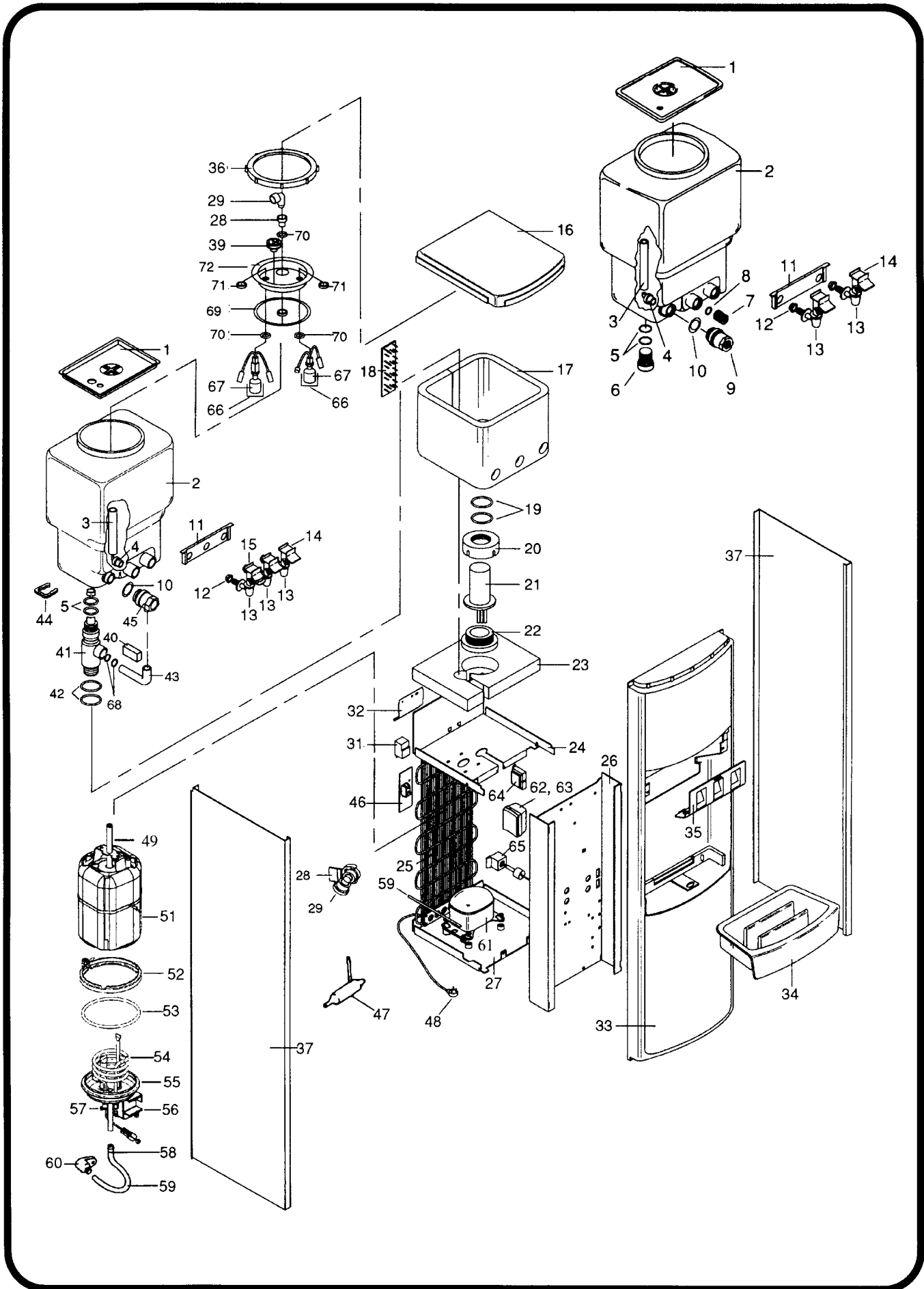
Voltage	115VAC±10%/1 PH/60 Hertz
Size	43 1/4"H, 12 1/4"W, 14 1/2"D
Shipping Weight (Approx)	56 lbs
Cold Water Capacity*	.6 GPH
Compressor	1/20 hp
Compressor (Full Load)	5.5 amps
Refrigerant	134a
Refrigerant Charge	1.56 OZ

Model: POU1LMK-D103

Voltage	115VAC±10%/1 PH/60 Hertz
Size	43 1/4"H, 12 1/4"W, 14 1/2"D
Shipping Weight (Approx)	51 lbs.
Cold Water Capacity*	.6 GPH
Compressor	1/20 hp
Compressor (Full Load)	1.2 amps
Refrigerant	134a
Refrigerant Charge	1.56 OZ

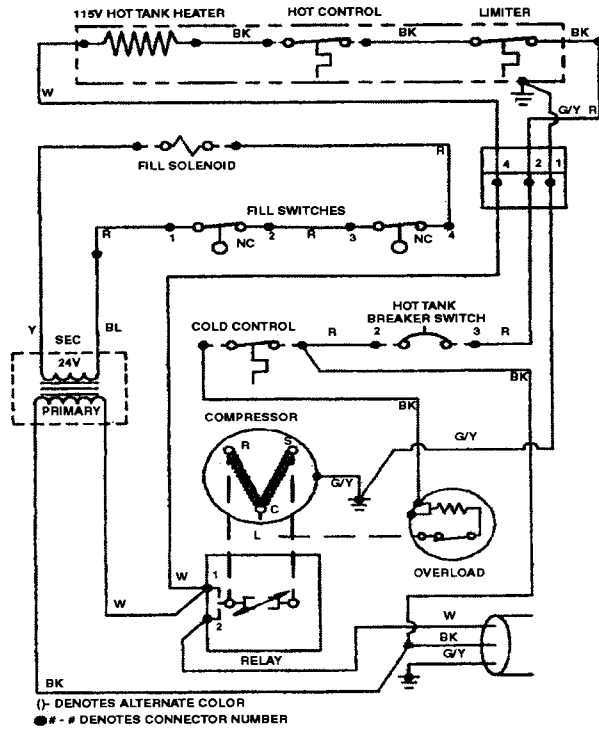
*A.R.I. Ratings: Room Temperature 90°F; Supply Water Temperature 80°F; Drinking Water Temperature 50°F.

Specifications subject to change without notice.

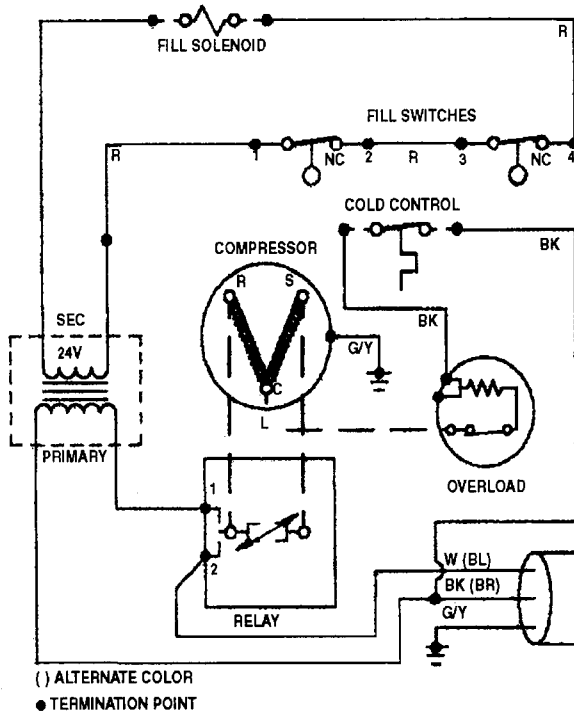


Item#	Description	POU1LMK-D103	POU1LMHK-D202
1	Baffle.....	030595-001	030595-002
2	Reservoir.....	030866-004	030866-004
3	Cook Tube.....	030689-003	030689-010
4	Cook Tube Fitting.....	030587-002	030587-002
5	O-Ring.....	030858-300	030858-300
6	Hot Tank Fitting Plug.....	030582-001	N/A
7	Cook Faucet Plug.....	030511-001	N/A
8	Cook Faucet Plug O-Ring.....	030858-306	N/A
9	Cook Faucet Extension FTG.....	030510-002	N/A
10	O-Ring.....	030858-306	030858-306
11	Faucet Spacer.....	031228-001	031228-001
12	Faucet Gasket.....	030405-001	030405-001
13	Faucet & Lever Assy.....	030499-007	030499-017
14	Faucet Lever.....	031022-001	031022-001
15	Faucet Lever, Lockout.....	N/A	032379-001
16	Top.....	031072-001	031072-001
17	Reservoir Insulation.....	031233-001	031233-001
18	Insulation Fastener.....	031234-001	031234-001
19	O-Ring.....	030858-403	030858-403
20	Probe Retainer Cap.....	030399-001	030399-001
21	Probe & Heat Exchanger Assy.....	030589-007	030589-007
22	Probe Retainer Collar.....	030398-001	030398-001
23	Shelf Insulation.....	031233-002	031233-002
24	Shelf.....	029953-002	029953-002
25	Condenser.....	028357-003	028357-003
26	Column Support.....	031048-001	031048-001
27	Base.....	020513-002	020513-002
28	Bracket FTG.....	031815-001	031815-001
29	FTG Assy, JG Elbow.....	030933-002	030933-002
30	Clamp, Tube.....	026487-002	026487-002
31	Cold Control.....	027040-020	027040-020
32	Handle.....	029562-001	029562-001
33	Front Panel.....	031075-001	031075-001
34	Drip Tray.....	032923-262	032923-262
35	Valve Cover.....	030862-004	030862-003
36	Reservoir Cap Ring.....	031079-001	031079-001
37	Side Panel.....	031047-001	031047-001
39	Air Filter.....	031823-001	031823-001
40	Insulation, Hot Manifold.....	N/A	031237-001
41	Hot Tank Manifold.....	N/A	030892-002
42	O-Ring.....	N/A	030858-301
43	Hot Water Outlet Tube.....	N/A	030602-001
44	Manifold Clip.....	N/A	030603-001
45	Hot Faucet FTG Assy.....	N/A	030889-002
46	Hot Tank Switch.....	N/A	029545-001
47	Filter Drier.....	031593-002	031593-002
48	Service Cord	026540-044	026540-044
49	Hot Tank Assy.....	N/A	032946-007
50	Body & Head Assy.....	N/A	032822-004
51	Insulation, Hot Tank.....	N/A	032734-001
52	Clamp, V Coupling.....	N/A	032729-001
53	O-Ring, Heater Pan.....	N/A	030858-402
54	Element, Hot Tank.....	N/A	032487-001
55	Lower Hot Tank Assy.....	N/A	032823-001
56	Hot Thermostat.....	N/A	032732-002
57	Heat Limiter.....	N/A	032731-002
58	Tube Clamp.....	N/A	032816-001
59	Extension Tube.....	N/A	028715-008
60	Drain Valve.....	N/A	033072-004
61	Compressor (includes 62 & 63).....	031530-008	031530-008
62	Relay.....	025817-007	025817-007
63	Overload.....	028707-007	028707-007
64	Transformer.....	030074-012	030074-012
65	Solenoid Valve.....	033274-001	033274-001
66	Slosh Guard.....	030650-001	030650-001
67	Float Assembly.....	029999-004	029999-004
68	Hot Water Outlet Tube O-Ring.....	030858-207	030858-207
69	Reservoir Cap Gasket.....	031025-001	031025-001
70	Gasket.....	028706-005	028706-005
71	Locknut.....	030056-001	030056-001
72	Reservoir Cap.....	030699-001	030699-001
Not Shown			
	Back Panel.....	032050-001	032050-001

**ELECTRICAL DIAGRAMS:
POU1LMHK-D202**



POU1LMK-D103



OASIS Corporation

265 N Hamilton Rd • PO Box 13150 • Columbus OH 43213
614/861-1350 • 614/861-0231 Fax